

Communications & Power Industries Triode



The ML-7003 is a shielded-grid triode designed primarily to operate as a switch tube in hard-tube pulse modulators, for radar and other applications. In this service it can deliver more than 2 MW pulse power output with less than 10 kW driving power. The cathode is unipotential oxide coated. The anode is forced-air cooled and is capable of dissipating 3 kW with an air flow of 150 cfm.

FEATURES:

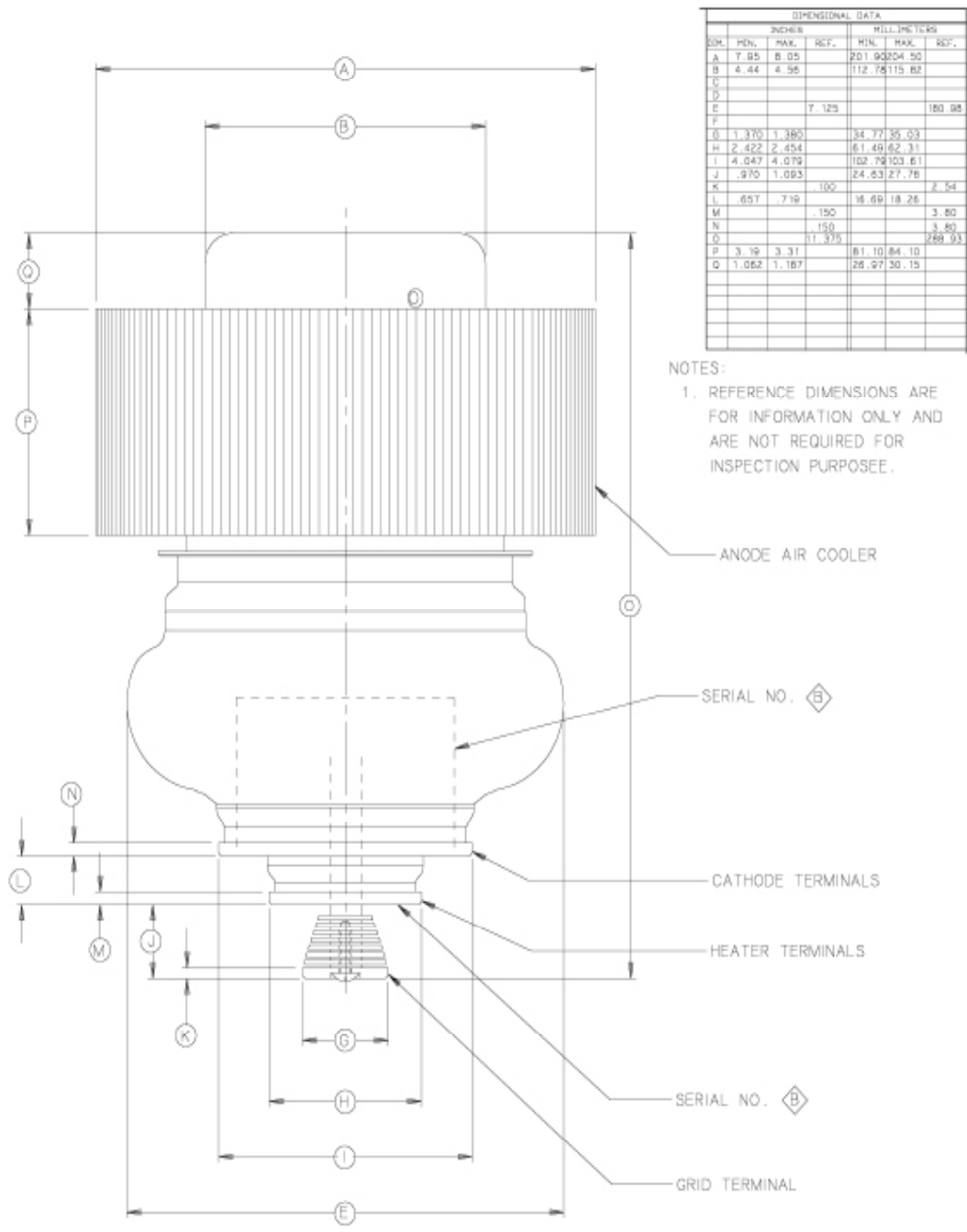
Filament Voltage:	6.0 Volts
Filament Current:	60 Amps
Filament Starting Current, Max:	300 Amps
Amplification factor:	200
Filament/cathode:	Oxide Coated
Voltage:	--- Volts
Current:	--- Amps
Capacitance: Grounded cathode	
Input:	--- pF
Output:	--- pF
Feedthrough:	--- pF
Capacitance: Grounded grid	
Input:	2.0 pF
Output:	250.0 pF
Feedthrough:	22.0 pF
Cooling:	Forced Air
Base:	---
Air Socket:	---
Air Chimney:	---
Boiler:	---
Length:	11.375 in; 288.93 mm
Diameter:	8.05 in; 204.50 mm
Weight:	25 lbs; 11.34 kg

BENEFITS:

- Worldwide brand name recognition
- Over 85 years technical expertise

APPLICATIONS:

- Radar



With a history of producing high quality products, we can help you with your triode.
Contact us at MPPMarketing@cpii.com or call us at +1 650-846-2800. The data should be used for basic information only.
 Formal, controlled specifications may be obtained from CPI for use in equipment design.



Microwave Power Products Division
 811 Hansen Way
 Palo Alto, California
 USA 94304

tel +1 650-846-2800
 fax +1 650-856-0705
 email MPPMarketing@cpii.com
 web www.cpii.com/MPP

For more detailed information, please refer to the corresponding CPI technical description if one has been published, or contact CPI. Specifications may change without notice as a result of additional data or product refinement. Please contact CPI before using this information for system design.

©2020 Communications & Power Industries LLC.
 Company proprietary: use and reproduction is strictly prohibited without written authorization from CPI.