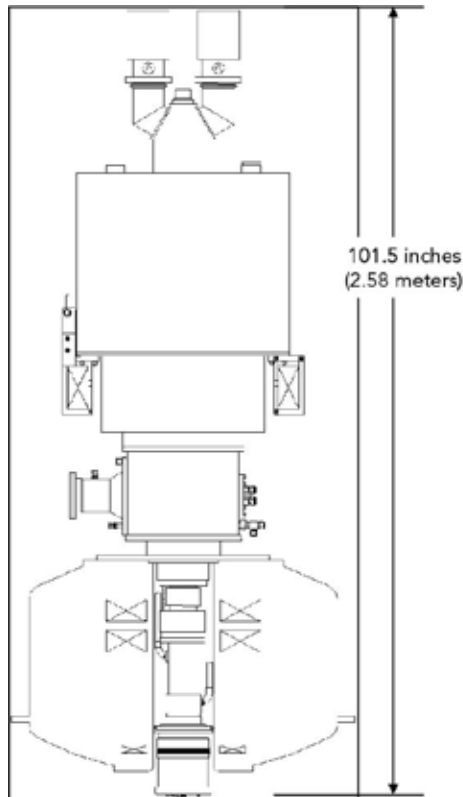


## Communications & Power Industries Gyrotron CW Oscillator



CPI gyrotrons were the first commercially available high-power, long-pulse/CW, high-frequency devices for plasma fusion experiments and other scientific and industrial applications. CPI-MPP provides an extensive line of gyrotrons that cover frequencies from 28-140 GHz with power levels ranging from 10 kW to 1.3 MW.

The VGT-8110 gyrotron provides up to 1 MW of output power at 110 GHz for electron cyclotron heating and current drive in fusion plasmas.

### FEATURES:

- High power, long-pulse
- Gaussian output beam
- CVD diamond output window
- Diode electron gun
- Cryogen-free superconducting magnet

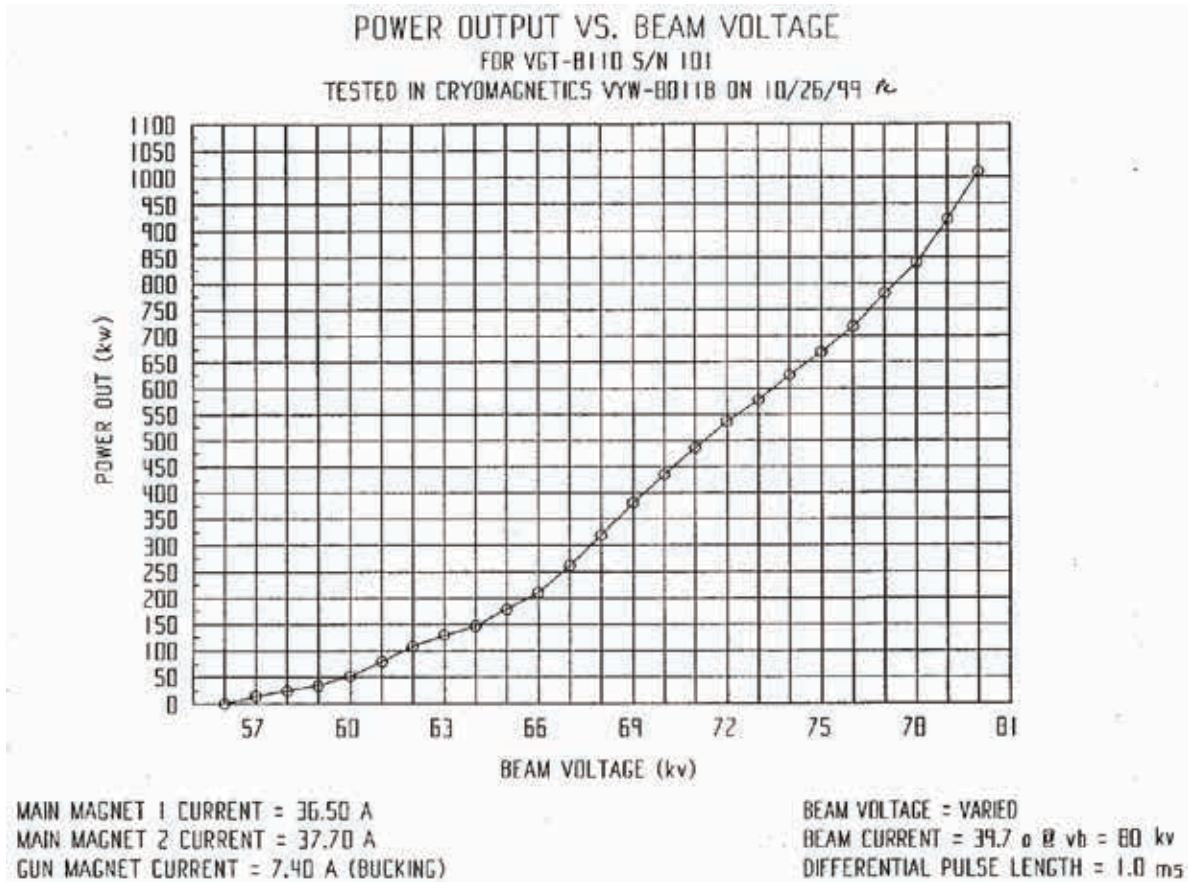
### BENEFITS:

- Long pulse & CW capable
- Broad frequency range of gyrotrons

### APPLICATIONS:

- Electron cyclotron heating
- Fusion reactors
- Current drive in reactors

# CPI 1000 kW Gyrotron CW Oscillator: VGT-8110



## Typical Operating Parameters

Power output	1000 kW
Pulse length	10 sec
Body voltage	80 kV
Beam current	40 A
Frequency	110 $\pm$ 0.2 GHz
Efficiency	31%
Output mode	TEM <sub>00</sub>

With a history of producing high quality products, we can help you with your gyrotron.

Contact us at [MPPMarketing@cpii.com](mailto:MPPMarketing@cpii.com) or call us at +1 650-846-2800.

The data should be used for basic information only. Formal, controlled specifications may be obtained from CPI for use in equipment design.



**Microwave Power  
Products Division**  
811 Hansen Way  
Palo Alto, California  
USA 94304

tel +1 650-846-2800  
email [MPPMarketing@cpii.com](mailto:MPPMarketing@cpii.com)  
web [www.cpii.com/MPP](http://www.cpii.com/MPP)

For more detailed information, please refer to the corresponding CPI technical description if one has been published, or contact CPI. Specifications may change without notice as a result of additional data or product refinement. Please contact CPI before using this information for system design.

©2020 Communications & Power Industries LLC. Company proprietary; use and reproduction is strictly prohibited without written authorization from CPI.