

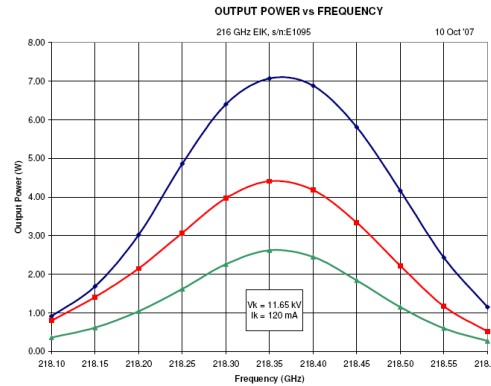


# 220 GHz 9W CW EIK and EPC



## EIK Technology

- terahertz radiation
- low operating voltages
- compact package
- high efficiency



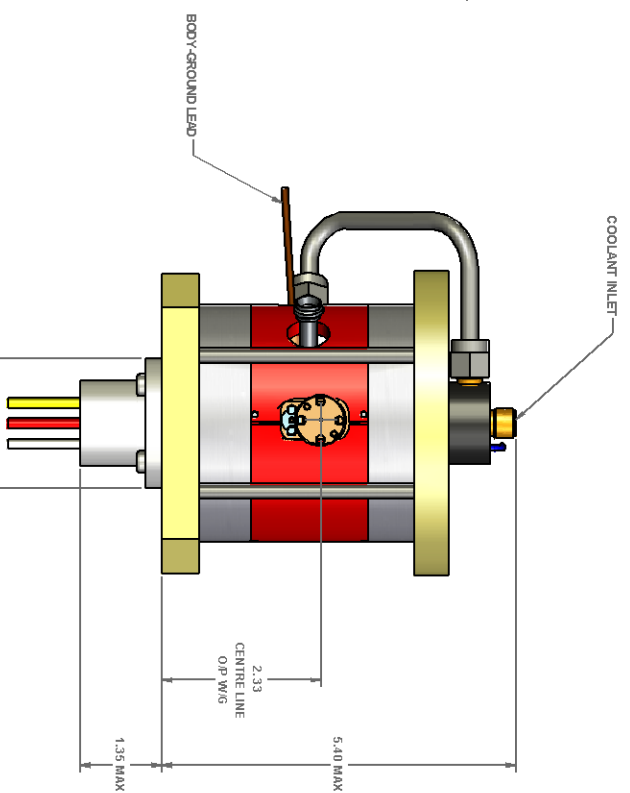
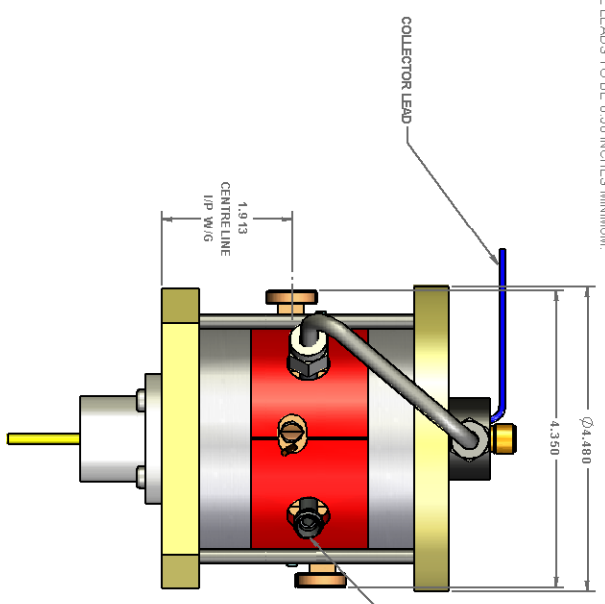
- 9W CW
- 218 GHz
- Excellent Beam Transmission
- < 12kV Beam Voltage
- Low Weight



RadarCon09

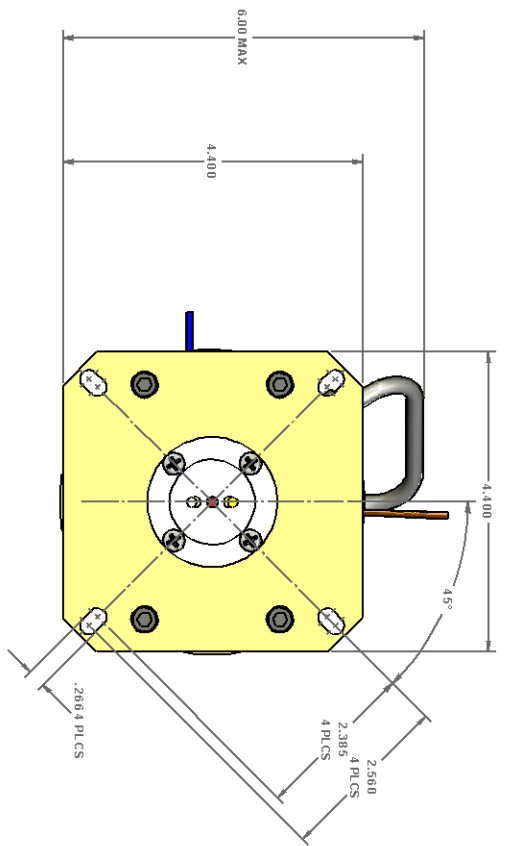
Sheet	Rev	Description	Drawn	Checked	Assembled	Date
1	1	2.58" WAVE 4.20" (L) O.D. (R) W/ (G) S	EH			31 OCT 2007

- NOTES:
1. WORKMANSHIP PER CMP STD QASDOM SHALL APPLY.
  2. ALL LEADS TO BE A MINIMUM 18.0 INCHES IN LENGTH.
  3. BEND RADIUS ON ALL LEADS TO BE 0.50 INCHES MINIMUM.



LEAD LEGEND

- ANODE - RED
- HEATER - YELLOW
- HTR/CATHODE - WHITE
- COLLECTOR - BLUE
- BODY - BROWN



SOLUTIONS (OVERSEA) 8 7 6 5 4 3 2 1

REV	QTY	PART NUMBER	DESCRIPTION
1	1	762066	OUTLINE DRAWING, 216 GHZ EIK

UNLESS OTHERWISE SPECIFIED	UNIT	INCHES
FRACTIONS	1/16	1/32
DECIMALS	0.0001	0.0005
ANGLES	10'	10"

DATE	02/24/05
SCALE	1:1
DRAWING NO.	762066
REV	1