

## Communications & Power Industries Triode



The Eimac YC-156A is a rugged ceramic/metal high-mu power triode designed for pulsed rf applications. Utilizing beam-forming cathode and control grid geometry, this tube provides the gain of a tetrode with circuit advantages and simplified design of a triode. The attributes of high gain, low grid interception and outstanding intermodulation performance make this tube well suited for application such as MRI and pulsed linear amplifier service.

The YC-156A is suitable for replacing the YC-156 in applications of pulsed rf amplifier service. This tube has a maximum anode voltage of 6500 volts and a peak anode current rating of 67 amperes. The anode is forced-air cooled for 5000 watts of dissipation. The YC-156A does not require a socket.

### FEATURES:

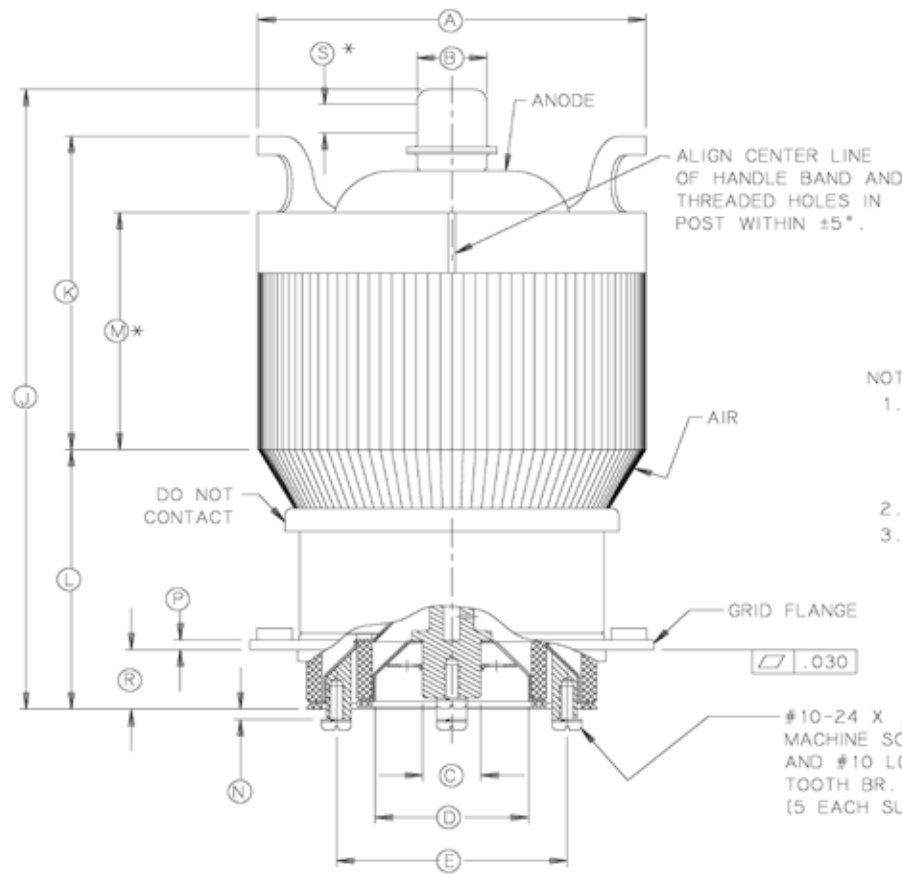
Maximum plate dissipation:	5,000 Watts
Maximum screen dissipation:	---
Maximum grid dissipation:	--- Watts
Frequency for max rating (CW):	150 MHz
Amplification factor:	200
Filament/cathode:	Oxide Coated
Voltage:	15.0 Volts
Current:	15.0 Amps
Capacitance: Grounded cathode	
Input:	--- pF
Output:	--- pF
Feedthrough:	--- pF
Capacitance: Grounded grid	
Input:	92.5 pF
Output:	36.2 pF
Feedthrough:	0.35 pF
Cooling:	Forced Air
Base:	Direct Chassis Mount
Air Socket:	---
Air Chimney:	SK-306
Boiler:	---
Length:	8.25 in; 20.96 cm
Diameter:	4.94 in; 12.55 cm
Weight:	9.5 lb; 4.3 kg

### BENEFITS:

- Worldwide brand name recognition
- Over 85 years technical expertise

### APPLICATIONS:

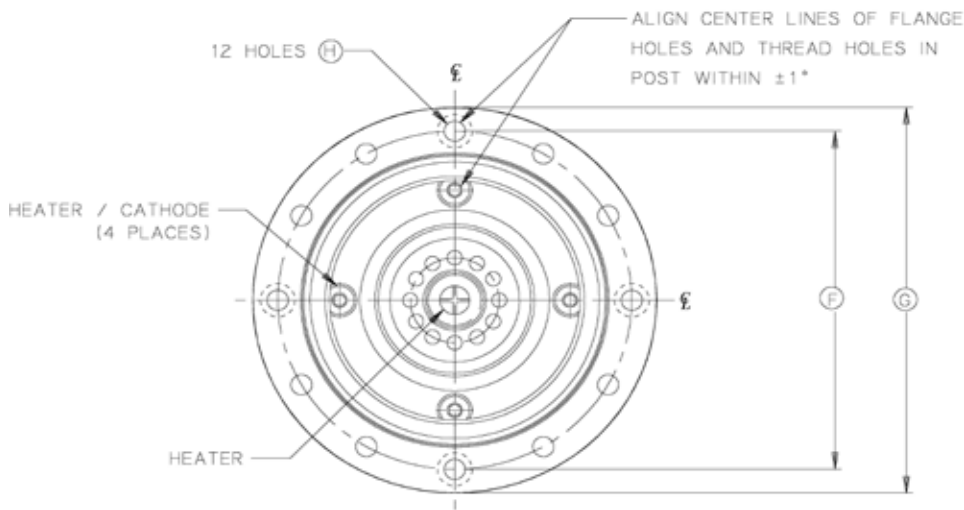
- Medical



DIMENSIONAL DATA						
DIM.	INCHES			MILLIMETERS		
	MIN.	MAX.	REF.	MIN.	MAX.	REF.
A	4.812	4.938		122.27	125.43	
B	.855	.895		21.72	22.73	
C	.600	.760		15.24	19.30	
D	1.896	1.936		48.16	49.17	
E	2.899	2.935		73.53	74.55	
F	4.425	4.445		112.40	122.90	
G	5.030	5.090		127.76	129.29	
H			.265		6.73	
J	8.017	8.267		203.63	209.98	
K	3.925	4.299		99.70	109.19	
L	3.223	3.597		81.86	91.36	
M	2.925	3.299		74.30	83.79	
N	.093	.156		2.36	3.96	
P			.125		3.18	
R	.721	.845		18.31	21.46	
S	.375			9.53		

NOTES:

1. REF. DIMENSIONS ARE FOR INFORMATION ONLY AND ARE NOT REQUIRED FOR INSPECTION PURPOSES.
2. (\*) CONTACT SURFACE
3. FLANGE, THREADED HOLES AND HANDLE BAND ALL TO BE ALIGNED WITHIN  $\pm 5^\circ$ .



With a history of producing high quality products, we can help you with your triode.

Contact us at [MPPMarketing@cpii.com](mailto:MPPMarketing@cpii.com) or call us at +1 650-846-2800. The data should be used for basic information only.

Formal, controlled specifications may be obtained from CPI for use in equipment design.



**Microwave Power Products Division**  
811 Hansen Way  
Palo Alto, California  
USA 94304

tel +1 650-846-2800  
fax +1 650-856-0705  
email [MPPMarketing@cpii.com](mailto:MPPMarketing@cpii.com)  
web [www.cpii.com/MPP](http://www.cpii.com/MPP)

For more detailed information, please refer to the corresponding CPI technical description if one has been published, or contact CPI. Specifications may change without notice as a result of additional data or product refinement. Please contact CPI before using this information for system design.

©2020 Communications & Power Industries LLC.  
Company proprietary: use and reproduction is strictly prohibited without written authorization from CPI.